

46-6000-202

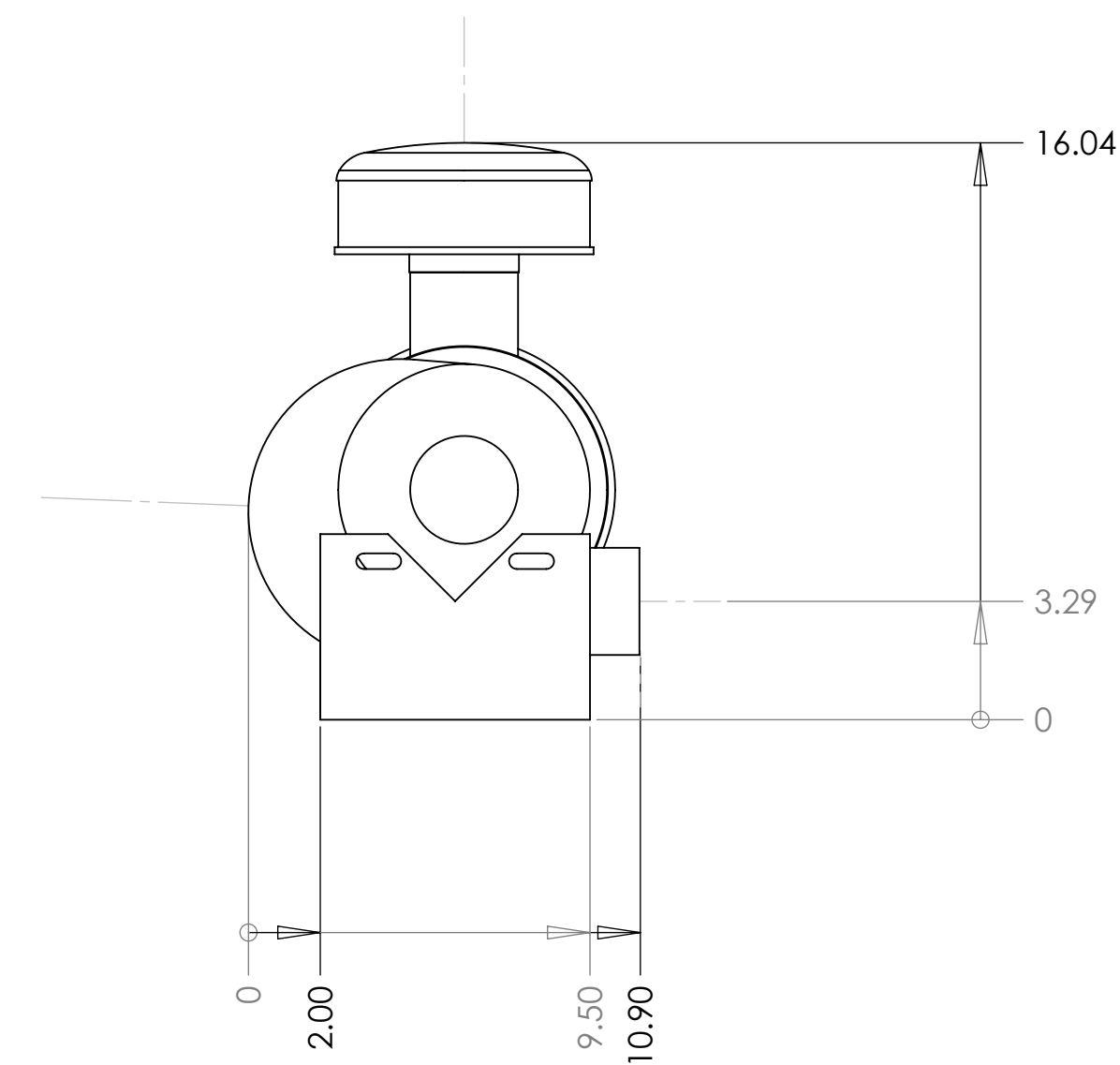
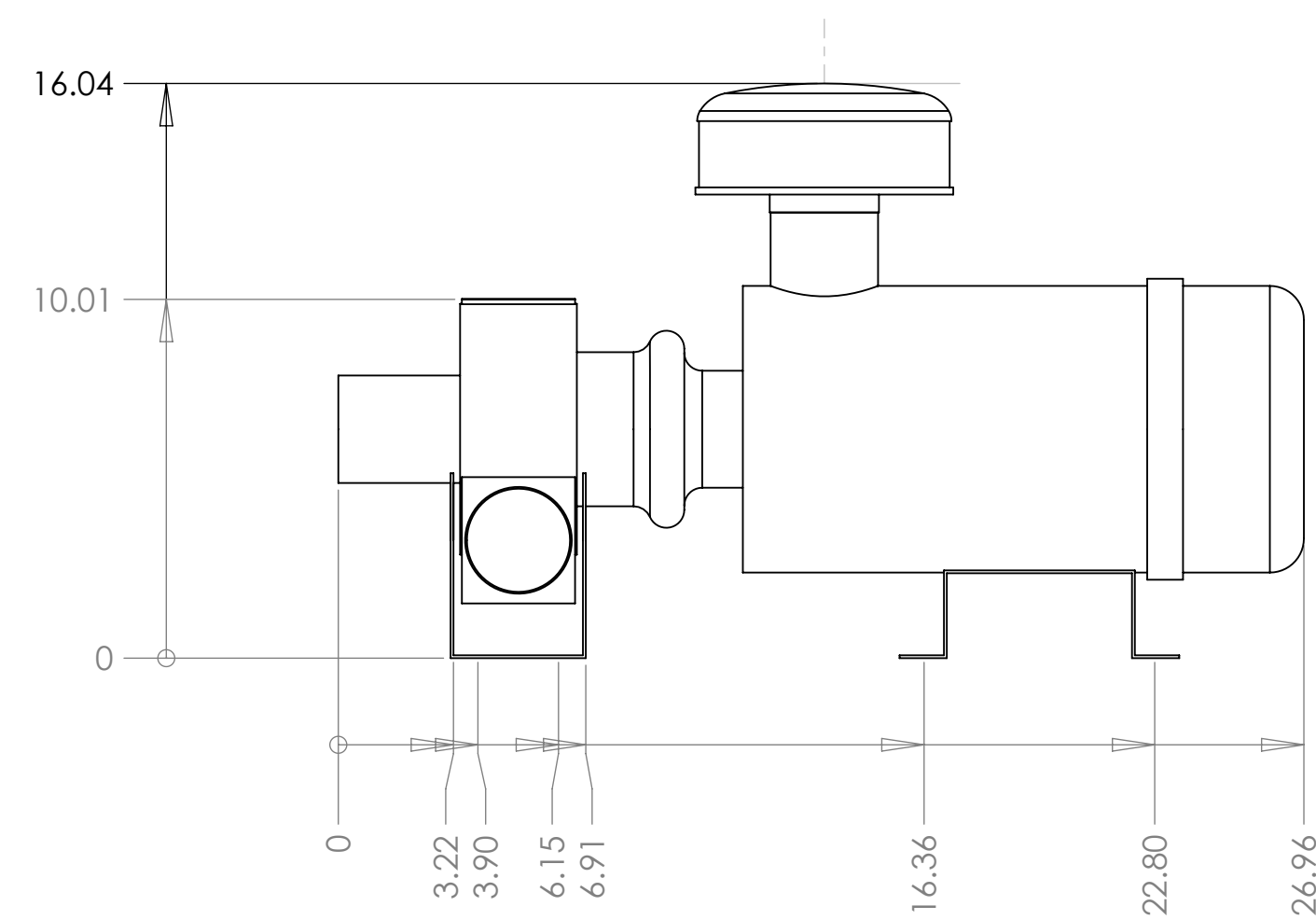
HORIZONTAL PRESSURIZER KIT-24V

- 14-20-1001 1.00 EACH PRESS. BLOWER ASSY. 24V
- 15-30-2023 1.00 EACH FILTER - HORIZONTAL
- 15-30-2900 1.00 EACH FILTER - CAP
- 15-30-2901 2.00 EACH FILTER RING HOLD DOWN
- 16-40-1100 1.00 EACH PRESSURIZER RING 3" - BLACK
- 16-91-1048 3.00 EACH WORM GEAR CLAMPS 3.0" - 3.5"
- 17-40-3050 4.00 INCH 3 in RUBBER HOSE PER INCH
- 17-41-1430 1.00 EACH HUMP HOSE REDUCER 4" - 3"
- 30-6000-001 1.00 EACH BRACKET-FILTER
- 30-6000-002 1.00 EACH BRACKET-PRESSUR. BLOWER
- 37-0000-103 1.00 EACH PRESSURIZER LABEL

ASSEMBLE BLOWER TO FILTER CANISTER USING RUBBER HUMP HOSE AND CLAMPS PROVIDED. SLIGHTLY PRY BACK BLOWER FINGERS AND USE SOAPY WATER TO LUBRICATE HUMP HOSE FOR EASIER ASSEMBLY

ATTACH HARDWARE AS SHOWN. BLOWER MAY BE INSTALLED IN 90° INCREMENTS. FILTER ATTACHES TO FILTER BRACKET USING 8" RINGS PROVIDED. CANISTER MAY BE MOUNTED ON VERTICAL SURFACE AS LONG AS THE RAIN CAP POINTS UPWARD.

CONNECT TO 12VDC 15A CIRCUIT (OR 24VDC 7A FOR 24V BLOWERS) THROUGH OPTIONAL SWITCH.



PROPRIETARY AND CONFIDENTIAL
 THE INFORMATION CONTAINED IN THIS DRAWING IS THE SOLE PROPERTY OF VISIONAIRE, INC. ANY REPRODUCTION IN PART OR AS A WHOLE WITHOUT THE WRITTEN PERMISSION OF VISIONAIRE, INC. IS PROHIBITED.

UNLESS OTHERWISE SPECIFIED:		DRAWN	NAME	DATE
DIMENSIONS ARE IN INCHES		CHECKED		
TOLERANCES:		ENG APPR.		
FRACTIONAL ±		MFG APPR.		
ANGULAR MATCH ±		Q.A.		
BEND ±		COMMENTS:		
TWO PLACE DECIMAL ±				
THREE PLACE DECIMAL ±				
INTERPRET GEOMETRIC TOLERANCING PER:				
MATERIAL				
NEXT ASSY	USED ON	FINISH		
APPLICATION				

VISIONAIRE, INC.		
TITLE:		
OVERVIEW OF HORIZONTAL PRESSURIZER		
SIZE	DWG. NO.	REV
D	46-6000-202	
SCALE: 1:5	WEIGHT:	SHEET 1 OF 1