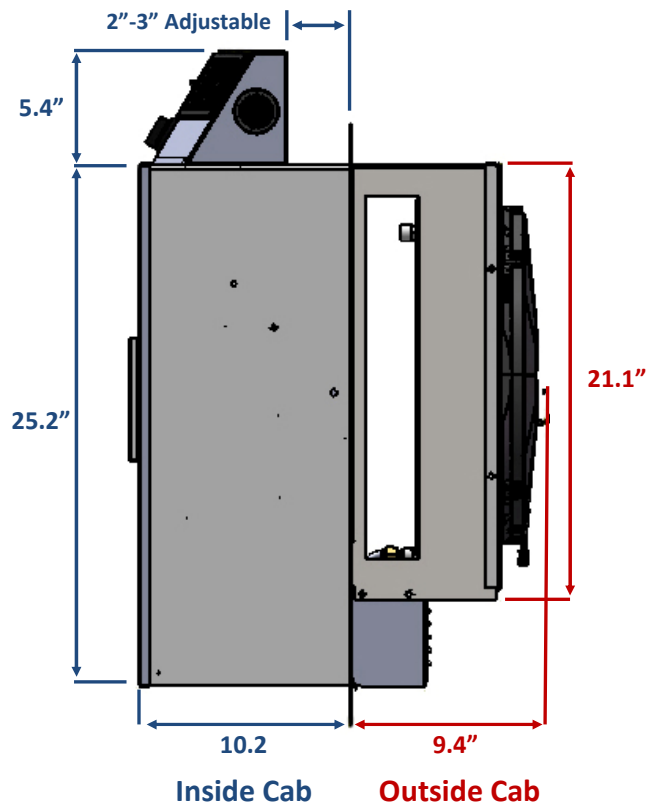


VISIONAIRE, INC.

7170 Heavy Duty **Hydraulic** Driven Air Conditioner/Heater

The 7170 was created with reliability and maintainability as key design elements. This system is easy to install with bulkhead mounted hydraulic fittings, an air plenum that allows for multiple ducting options and remote electrical control option for operation from the cabin control station.

Call **866.838.2810** To Discuss Your Application



Specifications:

Cooling Capacity: 36,000 BTU/HR
Heating Capacity: 30,000 BTU/HR
Air Flow: 500 CFM (3 Speed Blower)
Standard Hydraulic Flow: 8 gpm
Refrigerant: R134a (Pre-Charged)
Plenum with Louvers
Powder Coated, All Steel Construction
40A @ 12VDC
20A @ 24VDC
Weight: 190 lbs
Cut-Out Dimensions: 25.2" x 25.2"

Options:

Fresh Air Pressurization
Remotely Located Controls
Ducting Kits
8" Recess Mount

1502 109th Street Grand Prairie, TX 75050

* 972-647-1056 (P)

* 972-606-1076 (F)

Visit www.visionaire-inc.com to see full line of products.